

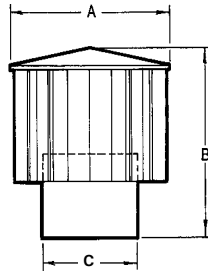
ACCESSORIES

— FOR SUNSTAR TUBE HEATERS —



■ SIDEWALL VENT CAP

Unique design prevents back drafts and assists in drawing off and exhausting the products of combustion regardless of wind direction • Heavy-gauge aluminum construction • Riveted at all major stress points for durability and service • Fits Type B flue pipe.



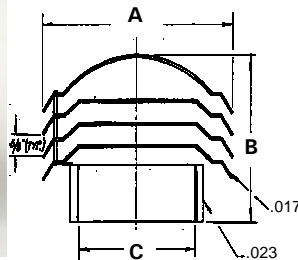
ORDERING INFORMATION

PART NO.	FITS PIPE	DIMENSIONS			SHIPPING WEIGHT (ea.)
		A	B	C	
30297040	4"	8-1/2"	8-1/4"	4"	1-1/2 lbs.
30297060	6"	10-1/2"	9-1/4"	6"	4 lbs.
30297080	8"	12-1/2"	12-3/4"	8"	4-1/8 lbs.



■ THROUGH THE ROOF VENT CAP

Heavy gauge aluminum construction • Eliminates downward draft • Fits Type B or Single Wall flue pipe • For Through-the-Roof venting or Fresh Air (Combustion Air) duct termination.



ORDERING INFORMATION

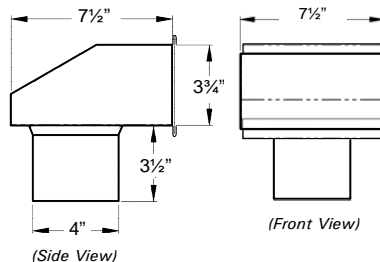
PART NO.	DIMENSIONS			SHIPPING WEIGHT (ea.)
	A	B	C	
41000020	6-3/4"	4-1/4"	4"	1-1/2 lbs.
41000000	9-1/2"	5"	6"	3 lbs.
41000010	12"	7"	8"	5 lbs.

25 to 75 MBtu Heaters – 4" flue outlet
100 to 175 MBtu Heaters – 6" flue outlet



■ EXHAUST HOOD

Used for indirect vented applications • Directs the heat away from the draft inducer • Includes bird screen • Heavy gauge aluminized steel construction.



ORDERING INFORMATION

MODEL NO.	PART NO.	SHIPPING WEIGHT (ea.)
SIS/SIU, SIR SERIES	42924000	5 lbs.



■ LINE PRESSURE REGULATORS – Up To 2 psig

Durable, corrosion-resistant construction • Equipped with 12A09 Vent Limiting Device
 • In the event of diaphragm rupture, gas escapement is limited to a non-hazardous level • Must be installed on a horizontal plane.

ORDERING INFORMATION

USE	MODEL	PART NO.	PIPE CONNECTIONS	MAXIMUM INLET PRESSURE	OUTLET PRESSURE	SHIPPING WEIGHT (each)
For heaters up to 200,000 BTU/HR	325-3L	03307260	1/2" x 1/2"	2 psig	7" W.C.	2 lbs.



■ LINE PRESSURE REGULATORS – Above 2 psig

Heavy-duty construction • High Capacity Internal Relief • Inlet and Outlet Pressure Taps for easy system checks • Must be vented to the outside.

ORDERING INFORMATION

PART NO.	MODEL	PIPE CONNECTIONS	MAXIMUM INLET PRESSURE	OUTLET PRESSURE	SHIPPING WEIGHT (each)
03483070	R622-BCF	1/2" x 1/2"	10 psig	11" W.C.	2 lbs.



■ FLEXIBLE CONNECTOR

CSA Listed stainless steel gas connector

ORDERING INFORMATION

USE	PART NO.	LENGTH	I.D.	SHIPPING WEIGHT (each)
For heaters up to 200,000 BTU/HR	30302360	36"	1/2"	1 lb.



■ ECONOMY Line Voltage Thermostat

Part #30348020

SPECIFICATIONS

- Temperature range 50°F to 90°F with ±4°F differential
- 22 amp full load
- Capable of controlling up to 7 Space-Ray infrared tube heaters
- UL Listed/CSA Certified

FEATURES

Economically priced • Durable, bi-metallic heat sensing element • Simple connections with easy-to-reach wiring terminals • Easy to mount, fits flat on wall with one-inch recess in wiring box.



HEAVY DUTY Line Voltage Thermostat

Part #03209000

SPECIFICATIONS

- Temperature range 35°F to 95°F with $\pm 2^\circ\text{F}$ differential
- 16 amp full load
- Capable of controlling up to 6 Space-Ray infrared tube heaters
- UL Listed/CSA Certified

FEATURES

Sealed, dust protected SPDT switch • Liquid-filled sensing element, specially treated against corrosion and firmly attached to top of thermostat, provides uniform control at ambient temperatures • Dependable single-pole, double-throw snap acting contacts in steel, dust-tight, NEMA 1 enclosure • Close differential for critical requirements • Adjustable cutout stop.



HIGH HUMIDITY ENVIRONMENT Line Voltage Thermostat

Part #30525000

SPECIFICATIONS

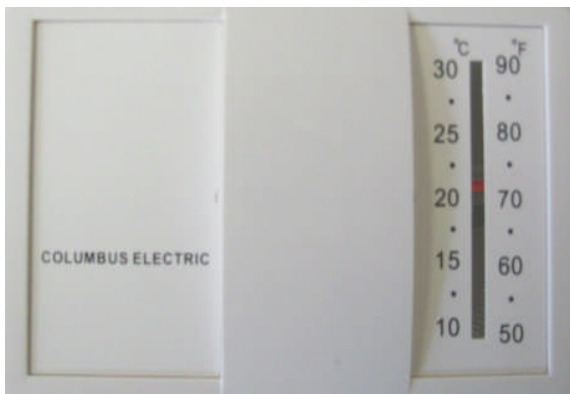
- Temperature range 40°F to 104°F with $\pm 2.5^\circ\text{F}$ differential
- 16 amp full load
- Capable of controlling up to 6 Space-Ray infrared tube heaters
- UL Listed/CSA Certified

FEATURES

Recommended for car washes, agricultural buildings, water treatment plants - any high-humidity, corrosive atmosphere • Quality constructed thermostat designed for use in harsh environments • Watertight ABS plastic meets NEMA 4x and NEC Article 547-4 requirements • Responsive, durable, 316 stainless steel, side-mounted sensing coil • Adjustable dial allows thermostat to be recalibrated • Single SPDT switch.

24 VOLT THERMOSTAT

Part #30562000



SPECIFICATIONS

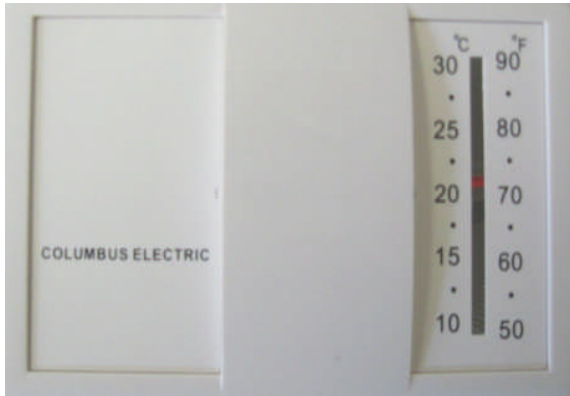
- Temperature Range 50°F to 90°F with $\pm 4^\circ\text{F}$ differential
- Adjustable Heat Anticipator 24 volts 0.1 to 1.0 Amps
- Individual Heater Operation – Requires Relay Kit
- UL Listed/CSA Certified

FEATURES

Hermetically sealed Reed Switch operated by a magnet attached to coiled bimetal • Snap-action operation makes precise leveling of the thermostat unnecessary • Universal mounting ...vertical and horizontal faceplates included • Use with 24-Volt Thermostat Relay Kit (Part #43274020 for **SIR** Series) or (Part #43274300 for **SIS** and **SIU** Series) to control one SunStar infrared tube heater.

■ MILLIVOLT THERMOSTAT

Part #42489010



SPECIFICATIONS

- Temperature Range 50°F to 90°F with $\pm 4^\circ\text{F}$ differential
- Adjustable Heat Anticipator 24 volts 0.1 to 1.0 Amps
- Individual Heater Operation for **SGM** Series only.
- UL Listed/CSA Certified

FEATURES

Hermetically sealed Reed Switch operated by a magnet attached to coiled bimetal • Snap-action operation makes precise leveling of the thermostat unnecessary • Universal mounting faceplates included • To be used with Starglo Millivolt (**SGM** Series) Ceramic Heaters and a 20' thermostat wire.

■ NIGHT SETBACK THERMOSTAT

Part #43240500



SPECIFICATIONS

- Digital Programmable **Line Voltage** thermostat
- Self-contained Locked Cabinet
- 4 different program periods per day
- 5/2 day programming
- Capable of controlling up to 6 SunStar tube heaters
- Temperature Range 45°F and 90°F with $\pm 1^\circ\text{F}$ differential
- Battery Backup to assure memory retention during power interruptions
- Temporary temperature override

■ CHAIN KITS



ORDERING INFORMATION

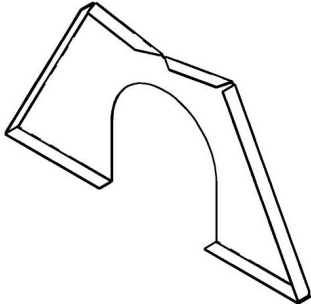
Part No.	Part Description
41690250	Chain Kit – 25 ft. chain with 12 S-hooks
41690350	Chain Kit – 35 ft. chain with 12 S-hooks (50' straight heaters)
41690120	Chain Kit – for SIR Series Tube Heaters or SG and SGM Series Ceramic Heaters, 12 ft. chain with 8 S-hooks



■ MANUAL CUTOFF VALVES

ORDERING INFORMATION

30285000	CSA listed ball valve, 1/2" NPT
----------	---------------------------------

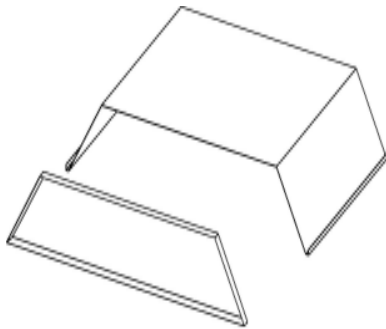


■ END REFLECTOR KIT

Part #43341010

Designed to cover both ends of the tubes to increase radiant output

- For **SIS** Series (includes 2 end reflectors and 8 speed clips)
- To be installed at both ends
- Order 2 kits for **SIU** Series Heaters

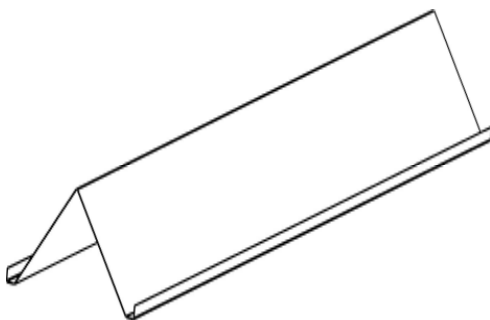


■ U-BEND REFLECTOR KIT

Part #43488000

Designed to cover the end of the U-tube and reduce the clearance to combustibles above the heater from 18" to 6"

- For **SIU** Series (includes 11 speed clips)



■ DEFLECTOR KIT

Designed to reduce the clearance to combustibles below the heater

- For **SIS** Series, 10' long (with predrilled holes)
- For **SIR** Series, 8' long (with predrilled holes)

Part No.	Part Description
43482010	Deflector Kit – 10' long
43504010	Deflector Kit – 8' long

Your SunStar distributor is
Harvard Products
 P.O. Box 358
 Harvard, IL 60033
 800-526-1958 or 815-943-7431