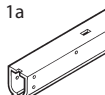






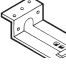




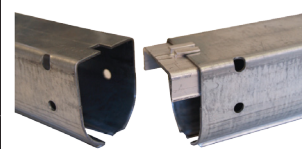
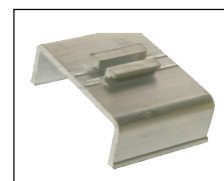
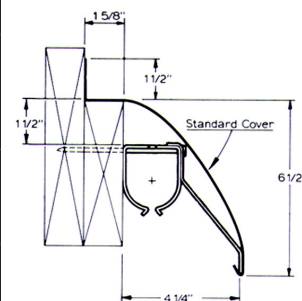


TRACK AND SLIDING DOOR PARTS

EASY TRAK ACCESSORIES

PART	NUMBER	DESCRIPTION	UNIT	WT.	LIST PRICE	
	1A	TK-100108 8' ROUND TRACK 14 GA. TK-100110 10' ROUND TRACK 14 GA. TK-100112 12' ROUND TRACK 14 GA. TK-100114 14' ROUND TRACK 14 GA. TK-100116 16' ROUND TRACK 14 GA. TK-100118 18' ROUND TRACK 14 GA. TK-100120 20' ROUND TRACK 14 GA.	PC. PC. PC. PC. PC. PC. PC.	18.0 22.0 28.0 34.0 40.0 46.0 52.0	\$45.07 \$56.34 \$67.61 \$78.88 \$90.15 \$101.41 \$112.69	
		2A	TK-100095 END CAP 2 REQUIRED FOR EACH RUN OF TRAK	EA.	0.3	\$1.47
		2B	TK-100133 END CAP FOR TRACK COVER-PAIR	EA.	0.5	\$17.36
		3A	TK-100093 COVER SUPPORT LOCKS TRACK SECTIONS TOGETHER, EXTERIOR	EA.	0.2	\$1.47
		3B	TK-100094 COVER SUPPORT ONE REQUIRED FOR EACH 2' OF TRAK	EA.	0.2	\$1.47
		4A	TK-100096 OUTSIDE SPLICE CLIP LOCKS TRACK SECTIONS TOGETHER, EXTERIOR	EA.	0.6	\$4.02
		4B	TK-100107 INSIDE SPLICE CLIP LOCKS TRACK SECTIONS TOGETHER	EA.	0.6	\$4.02
	5A	TK-100097- TOP MOUNT BRACKET ONE REQUIRED FOR EACH 2' OF TRACK	EA.	0.4	\$2.10	
	5B	TK-100109 FACE MOUNT BRACKET	EA.	0.4	\$2.10	
	6A	TK-100132 STANDARD TRACK COVER WHITE, 10' 2" IN LENGTH	EA.	8.0	\$38.70	
	6B	TK-100135 DOUBLE TRACK COVER-BOX STYLE WHITE, 10' 2" IN LENGTH	EA.	8.0	\$38.70	
	7A	TK-100134 STANDARD COVER SUPPORT BRACKET	EA.	0.8	\$3.59	
	7B	TK-100143 DOUBLE COVER SUPPORT BRACKET	EA.	0.8	\$5.42	
	7C	TK-100136 BOX COVER SUPPORT BRACKET	EA.	0.8	\$3.59	
	8A	TK-100141 DOUBLE SUPPORT BRACKET DOUBLE MOUNT - 1 1/2", GALVANIZED	EA.	0.8	\$8.35	
	8B	TK-100313 DOUBLE SUPPORT BRACKET 3" (1-BEND)	EA.	0.8	\$8.35	
	8C	TK-100142 STANDARD DOUBLE TRACK COVER	EA.	7.0	\$59.94	
		9A	TY-100098 9 1/2" TROLLEY HANGER	EA.	1.6	\$23.14
9B		TY-100099 9 1/2" TROLLEY HANGER W/ ROLLER BEARINGS BOTH W/ TWO WAY ADJUSTMENTS FOR 2X6" TOP RAIL DOORS	EA.	1.6	\$28.04	
		TY-100171 6 1/2" TROLLEY HANGER	EA.	1.5	\$23.14	
9b		TY-100172 6 1/2" TROLLEY HANGER W/ ROLLER BEARINGS BOTH W/ TWO WAY ADJUSTMENTS FOR 2X4" TOP RAIL DOORS	EA.	1.5	\$28.04	
		TY-100193 3" TROLLEY HANGER W/ ROLLER BEARINGS 3" FULL THREAD HEX BOLT W/SWIVEL	EA.	1.5	\$27.50	
	10A	TY-100100 TROLLEY W/ STRAP HANGER	EA.	2.4	\$27.81	
	10B	TY-100101 TROLLEY W/ STRAP HANGER W/ ROLLER BEARINGS BOTH W/ TWO PIECE STRAP. FOR DOORS 1 3/8 TO 2 3/8" THICK	EA.	2.4	\$35.39	
	10a	TY-100102 TROLLEY HANGER FOR METAL DOORS	EA.	2.0	\$20.73	
	10b	TY-100103 TROLLEY FOR METAL DOORS W/ ROLLER BEARINGS BOTH W/ 6 3/4" SPADE BOLT	EA.	2.0	\$23.59	
	11A	TY-100104 DROP STRAP TROLLEY	EA.	2.6	\$24.14	
	11B	TY-100105 DROP STRAP TROLLEY W/ ROLLER BEARINGS BOTH W/ TWO WAY ADJUSTABLE HANGER, IDEAL FOR HORSE STALLS	EA.	2.6	\$29.90	
		TY-100106 DOUBLE TROLLEY HANGER W/ ROLLER BEARINGS W/ 9 1/2" PENDANT BOLT, FOR DOORS UP TO 850103	EA.	6.0	\$58.92	

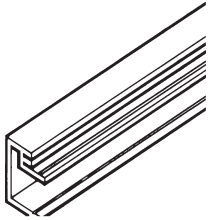
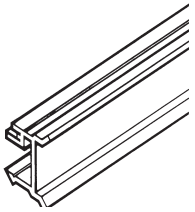
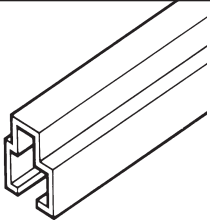
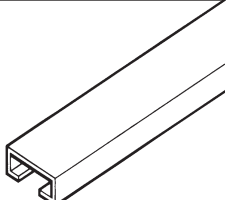
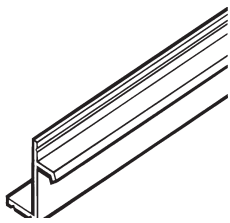
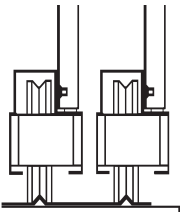


PRICES ARE FOB FACTORY. PRICES SUBJECT TO CHANGE

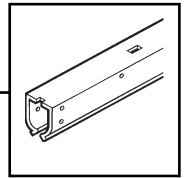


810 W. Burbank St.
 Harvard IL, 60033
 toll free: 800-526-1958
 ph: 815-943-7431
 fax: 815-943-7927
 www.Harvardproducts.com

DOOR FRAME - 1 1/2 INCH

PART	NUMBER	DESCRIPTION	UNIT	WT.	LIST PRICE
	VERTICAL RAIL - 1^{1/2}"				
	RD-100208	8'	PC.	5.7	\$55.27
	RD-100210	10'	PC.	7.1	69.46
	RD-100212	12'	PC.	8.5	82.86
	RD-100214	14'	PC.	9.9	96.67
	RD-100216	16'	PC.	11.3	110.48
RD-100218	18'	PC.	12.7	124.27	
	VERTICAL RAIL WITH H-CLOSURE - 1^{1/2}"				
	RD-100308	8'	PC.	7.0	\$66.86
	RD-100310	10'	PC.	8.8	83.52
	RD-100312	12'	PC.	10.5	99.80
	RD-100314	14'	PC.	12.3	116.99
	RD-100316	16'	PC.	14.0	133.70
RD-100318	18'	PC.	16.3	150.45	
	BOTTOM RAIL - 1^{1/2}"				
	RD-100408	8'	PC.	7.4	\$72.47
	RD-100410	10'	PC.	9.3	90.57
	RD-100412	12'	PC.	11.1	108.69
	RD-100414	14'	PC.	13.0	126.77
	RD-100416	16'	PC.	14.8	144.90
RD-100418	18'	PC.	16.7	162.99	
RD-100420	20'	PC.	18.6	181.11	
	GIRT - GLAVANIZED 18 GA. STEEL				
	RD-100608	8'	PC.	10.8	\$28.86
	RD-100610	10'	PC.	13.5	36.08
	RD-100612	12'	PC.	16.2	43.28
	RD-100614	14'	PC.	18.9	50.51
	RD-100616	16'	PC.	21.6	57.72
RD-100618	18'	PC.	24.3	64.95	
RD-100620	20'	PC.	27.0	72.17	
	BOTTOM RAIL FOR WOOD DOORS				
	RD-100508	8'	PC.	4.0	\$40.04
	RD-100510	10'	PC.	5.0	50.03
	RD-100512	12'	PC.	6.0	60.06
	RD-100514	14'	PC.	7.0	70.06
	RD-100516	16'	PC.	8.0	80.04
RD-100518	18'	PC.	9.0	90.05	
RD-100520	20'	PC.	10.0	100.09	
	GS-100147	RIGHT HAND BOTTOM ROLLING ASSEMBLY	PR.		\$506.86
	GS-100148	LEFT HAND BOTTOM ROLLING ASSEMBLY			
	SOLD IN PAIRS - RIGHT AND LEFT HAND				
GS-100149	DOUBLE BOTTOM DOOR GUIDE	FT.		\$12.71	
		FASTENERS NOT INCLUDED			

Available in Brown or White. Add "B" for Brown or "W" for White to end of part number.



WHITE DOOR FRAME - 3 1/2 INCH

PART	NUMBER	DESCRIPTION	UNIT	WEIGHT	LIST PRICE
	VERTICAL RAIL - 3 1/2"				
	RD - 100220	8'	PC.	8.4	\$88.19
	RD - 100221	10'	PC.	10.5	104.98
	RD - 100222	12'	PC.	12.6	132.30
	RD - 100223	14'	PC.	14.7	154.28
	RD - 100224	16'	PC.	16.8	176.19
	RD - 100225	18'	PC.	18.9	204.83
	RD - 100226	20'	PC.	21.0	220.28
	VERTICAL RAIL WITH H-CLOSURE - 3 1/2"				
	RD - 100230	8'	PC.	9.6	\$99.95
	RD - 100231	10'	PC.	12.0	125.87
	RD - 100232	12'	PC.	14.4	150.99
	RD - 100233	14'	PC.	16.8	176.19
	RD - 100234	16'	PC.	19.2	201.35
	RD - 100235	18'	PC.	21.6	226.53
	RD - 100236	20'	PC.	24.0	251.69
	BOTTOM RAIL - 3 1/2"				
	RD - 100240	8'	PC.	10.0	\$104.98
	RD - 100241	10'	PC.	12.5	131.26
	RD - 100242	12'	PC.	15.0	157.47
	RD - 100243	14'	PC.	17.5	183.65
	RD - 100244	16'	PC.	20.0	209.96
	RD - 100245	18'	PC.	22.5	236.00
	RD - 100246	20'	PC.	25.0	262.22
	GIRT - GALVANIZED 18 GA. STEEL				
	RD - 100608	8'	PC.	10.8	\$28.86
	RD - 100610	10'	PC.	13.5	36.08
	RD - 100612	12'	PC.	16.2	43.28
	RD - 100614	14'	PC.	18.9	50.51
	RD - 100616	16'	PC.	21.6	57.72
	RD - 100618	18'	PC.	24.3	64.95
	RD - 100620	20'	PC.	27.0	72.17
	RD - 100092 WALK DOOR PACKAGE - 1 1/2" PANEL SIZE - 3060		EA.	69.0	\$409.42
	RD - 100283 WALK DOOR PACKAGE - 3 1/2" PANEL SIZE - 3060		EA.	100.0	429.50
	GS - 100147	RIGHT HAND BOTTOM ROLLING ASSEMBLY	PR.		\$506.86
	GS - 100148	LEFT HAND BOTTOM ROLLING ASSEMBLY SOLD IN PAIRS - RIGHT AND LEFT HAND			
	GS - 100149	DOUBLE BOTTOM DOOR GUIDE FASTENERS NOT INCLUDED	FT.		12.71

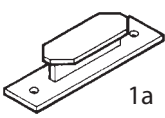
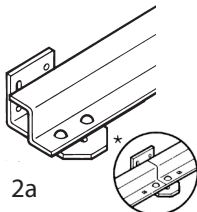
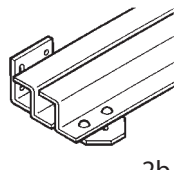
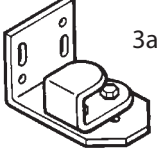
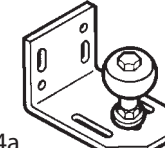
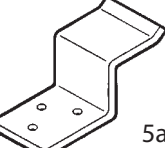
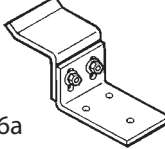
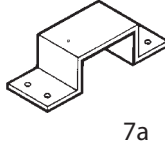

Available only in White.

PRICES ARE FOB FACTORY. PRICES SUBJECT TO CHANGE

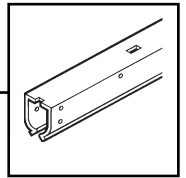


810 W. Burbank St.
 Harvard IL, 60033
 toll free: 800-526-1958
 ph: 815-943-7431
 fax: 815-943-7927
 www.Harvardproducts.com

EASY TRAK ACCESSORIES

PART	NUMBER	DESCRIPTION	UNIT	WEIGHT	LIST PRICE
	1b	GS-100227 CENTER GUIDE FOR CONCRETE	EA.	1.4	\$32.30
		GS-100115 CENTER GUIDE WITH HOLD DOWN	EA.	3.5	28.38
		SINGLE GUIDE RAIL W/ BRACKETS - 1-3/4" RETURN GS-100111 5' GUIDE RAIL WITH BRACKETS GS-100200 6' GUIDE RAIL WITH BRACKETS GS-100284 7' GUIDE RAIL WITH BRACKETS GS-100146 5' DOUBLE GUIDE RAIL WITH BRACKETS	EA. EA. EA. EA.	9.0 10.0 11.0 17.6	\$40.41 48.47 53.30 83.91
		* FOR LONGER LENGTHS NOTE SPLICE			
	3b	GS-100113 ADJUSTABLE DOOR STOP W/ HOLD DOWN	EA.	1.6	\$13.59
		GS- 100117 ADJUSTABLE DOOR GUIDE OR STOP WHITE POLY-POWDER COAT/1000 SALT SPRAY HOURS	EA.	1.8	13.81
	4b	GS-100119 HEAVY DUTY STAY ROLLER	EA.	1.25	\$12.05
		GS- 100122 STAY ROLLER IDEAL FOR HORSE STALLS	EA.	1.2	10.87
	5b	GS-100123 HEAVY DUTY DOOR STOP NOT ADJUSTABLE	EA.	1.0	\$8.47
		GS-100159 INSIDE DOOR STOP JAMB MOUNT, ENGAGES DOOR IN OPEN AND CLOSED POSITION	EA.	1.2	11.08
	6b	GS-100121 ADJUSTABLE DOOR STOP WHITE POLY-POWDER COAT/1000 SALT SPRAY HOURS	EA.	2.25	\$14.78
		GS-100134 ADJUSTABLE DOOR STOP ZINC PLATED	EA.	2.25	13.59
	7b	TK-100174 HAT SECTION FASTENS TRACK TO FLAT OF THE PAN	EA. EA.	.40 5.0	\$3.86 42.42
		GS-100116 CENTER GUIDE SPECIAL EXTENDED FOR CONCRETE			
8a		DH-100129 DOOR PULL WHITE POLY-POWDER COAT/1000 SALT SPRAY HOURS	EA.	1.6	\$4.60
		DH-100130 CANE BOLT 18 INCHES IN LENGTH	EA.	2.5	19.08

TRACK:

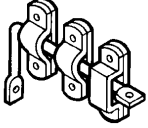
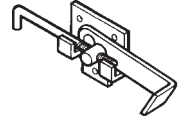
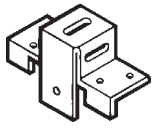
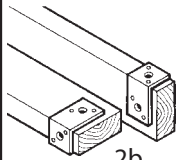
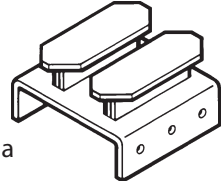
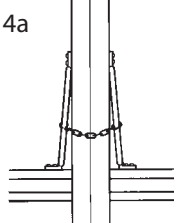
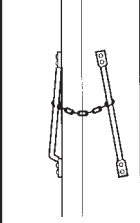
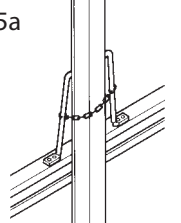
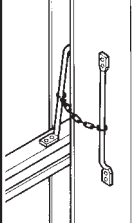




DH-100120FB Horseshoe Latch Black
List Price: \$32.00

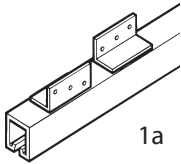
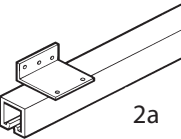
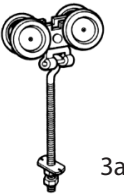

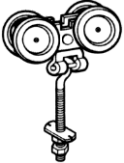
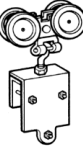

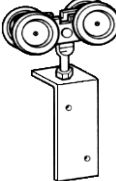



DH-100129FB
Fancy Handle Black
List Price: \$4.58

EASY TRAK ACCESSORIES


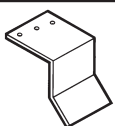


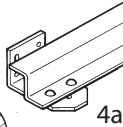
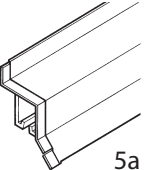
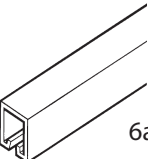
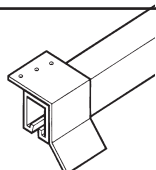
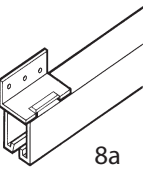
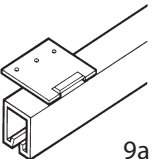
PART	PART	ITEM	NUMBER	DESCRIPTION	UNIT	WT.	LIST PRICE
 1a	 1b	1A	DH-100124 SUPER LATCH	EA.	1.5	\$15.70	
		1B	DH-100125 LATCH GATE FASTENER (NOT SHOWN)	EA.	1.1	14.02	
			DH-100126 STAY-TIGHT ADJUSTABLE LATCH	EA.	1.0	13.90	
			DH-100127 STAY-TIGHT ADJUSTABLE LATCHES PACKAGED IN PAIRS WITH STRIKER PLATES	PR.	2.5	33.89	
 2a	 2b	2A	DH-100128 STRIKER PLATE FOR STEEL OR WOOD	EA.	4.5	\$3.04	
		2B	DH-100131 STRIKER PLATE FOR STEEL OR WOOD	EA.	17.6	2.33	
 3a		3A	GS-100145 DOUBLE CENTER GUIDE	EA.	4.5	\$44.62	
 4a	 4b	4A	DH-100137 CENTER CHAIN LOCK FOR WOOD DOORS	EA.	1.25	\$25.54	
		4B	DH-100138 CHAIN LOCK TO JAMB FOR WOOD DOORS	EA.	1.2	25.54	
 5a	 5b	5A	DH-100139 CENTER CHAIN LOCK FOR STEEL OR ALUMINUM DOORS	EA.	1.00	\$25.54	
		5B	DH-100140 CHAIN LOCK TO JAMB FOR STEEL OR ALUMINUM DOORS	EA.	1.2	25.54	
 6a	 6b	6A	HW-200146 SELF DRILLING SCREW 1/4 X 3 INCHES, FOR METAL, FASTENS TRAK TO STEEL HEADER.	EA.	0.01	\$1.15	
		6B	HW-200147 PAN HEAD DRILL SCREW 8 X 1/2 INCHES	EA.	.12	.26	

EASY TRAK -BOX TRAK, COVER & BRACKETS

PART	ITEM	NUMBER	DESCRIPTION	UNIT	WT.	LIST PRICE
	1A	1 1/2 INCH CONTINUOUS BOTTOM GUIDE INTERCHANGEABLE W/ NO. 6061 GS-102056 8 FEET GS-102057 10 FEET GS-102058 12 FEET GS-102059 14 FEET GS-102060 16 FEET	PC. PC. PC. PC. PC.	18.0 22.0 28.0 34.8 40.0	\$49.71 62.13 74.56 86.99 99.41	
	2A	3 1/2 INCH CONTINUOUS BOTTOM GUIDE INTERCHANGEABLE W/ NO. 6062 GS-102061 8 FEET GS-102062 10 FEET GS-102063 12 FEET GS-102064 14 FEET GS-102065 16 FEET	PC. PC. PC. PC. PC.	18.0 22.0 28.0 34.8 40.0	49.71 62.13 74.56 86.99 99.41	
	3A	TY-102009 9 1/2 INCH FLEXIBLE HANGER W/ ROLLER BEARNGS OFFSET BOLT - TWO WAY ADJUSTMENTS, INTERCHANGEABLE W/NO. 5022 - 5062 TY-102011 9 1/2 INCH FLEXIBLE HANGER W/ ROLLER BEARNGS SAME AS ABOVE W/ TWO FLASHING BRACKETS (SEE FORM NO. 113)	PR. PR.	4.1 5.1	58.00 64.64	
	4A	TY-102000 9 1/2 ADJUSTABLE PENDENT BOLT W/ ROLLER BEARNGS SIDE ADJUSTABLE PENDENT BOLT	PR.	4.1	58.00	
	5A	TY-102013 6 1/2 INCH FLEXIBLE HANGER W/ ROLLER BEARINGS OFFSET BOLT - TWO WAY ADJUSTMENTS, FOR STEEL FRAME DOORS, INTERCHANGEABLE W/ NO. 5030 - 5070 TY-102015 6 1/2 INCH FLEXIBLE HANGER W/ ROLLER BEARINGS SAME AS ABOVE W/ TWO FLASHING BRACKETS	PR. PR.	3.8 4.8	58.00 64.64	
	6A	TY-102017 FLEXIBLE HANGER AND STRAP W/ ROLLER BEARNGS W/ TWO PIECE STRAP, FOR DOORS 1 3/8 TO 2 3/8 INCHES THICK, INTERCHANGEABLE W/ NO. 5047 - 5087	PR.	5.0	67.79	
	7A	TY-102019 RIGID HANGER AND STRAIGHT BOLT W/ ROLLER BEARNGS W/ 6 3/4 INCH SPADE BOLT, INTERCHANGEABLE W/ NO. 5001 - 5051	PR.	4.0	42.79	
	8A	TY-102021 RIGID DROP STRAP HANGER W/ ROLLER BEARNGS TWO WAY ADJUSTABLE HANGER, IDEAL FOR HORSE STALLS, INTERCHANGEABLE W/ NO. 5006 TY-102023 FLEXIBLE DROP STRAP HANGER W/ ROLLER BEARNGS TWO WAY ADJUSTABLE HANGER, IDEAL FOR HORSE STALLS, INTERCHANGEABLE W/ NO. 5040 - 5080	PR. PR.	5.1 5.2	65.63 67.79	
	9A	TY-102025 TROLLEY TRUCK W/ ROLLER BEARNGS END CAP NO INCLUDED, INTERCHANGEABLE W/ NO. 5000 - 5050	PR.	3.6	33.91	

PRICES ARE FOB FACTORY. PRICES SUBJECT TO CHANGE

EASY TRAK -BOX TRAK, COVER & BRACKETS

PART	PART	ITEM	NUMBER	DESCRIPTION	UNIT	WT.	LIST PRICE
		1A	TK-100132	TRACK COVER-BOX STYLE TOP MOUNT, WHITE IN COLOR, 10 FEET 2 INCHES LONG	EA.	8.0	\$38.21
		1B	TK-100133	END CAP FOR TRACK COVER TOP MOUNT, WHITE IN COLOR, 10 FEET 2 INCHES LONG	PC.	8.0	17.36
		2A	TK-102024	TRACK COVER BRACKET - BOX STYLE ALL PURPOSE BRACKET, INTERCHANGEABLE W/NO. 151	PC.	0.5	3.15
		2B	TK-102026	TRAK COVER BRACKET - BOX STYLE ONE REQ'D FOR EVERY 2 FT. OF TRAK, FITS UNDER TOP & FACE MOUNT BRACKETS	PC.	0.2	1.41
		3A	TK-102069	END CAP-BOX STYLE	EA.	0.3	1.80
		4A	GS-102066	5 FEET	EA.	9.0	39.24
			GS-102067	6 FEET	EA.	10.0	47.05
			GS-102068	7 FEET	EA.	11.0	51.72
			GS-100315	BRACKETS & HARDWARE ONLY	EA.	1.1	9.11
				* FOR LONGER LENGTHS NOTE SPLICE			
		5A	TK-102049	8 FEET	PC.	26.0	96.96
			TK-102050	10 FEET	PC.	32.0	121.39
			TK-102051	12 FEET	PC.	38.4	145.16
			TK-102052	14 FEET	PC.	44.8	169.43
			TK-102053	16 FEET	PC.	51.2	193.54
			TK-102054	18 FEET	PC.	57.6	217.80
			TK-102055	20 FEET	PC.	64.0	242.81
		6A	TK-102008	8 FEET	PC.	12.8	36.45
			TK-102010	10 FEET	PC.	16.0	45.59
			TK-102012	12 FEET	PC.	19.2	54.68
			TK-102014	14 FEET	PC.	22.4	63.81
			TK-102016	16 FEET	PC.	25.6	72.87
			TK-102018	18 FEET	PC.	28.8	82.48
			TK-102020	20 FEET	PC.	32.0	91.11
		7A	TK-102028	8 FEET	PC.	16.4	56.59
			TK-102029	10 FEET	PC.	20.0	71.39
			TK-102030	12 FEET	PC.	24.2	84.81
			TK-102031	14 FEET	PC.	27.9	99.12
			TK-102032	16 FEET	PC.	32.4	113.15
			TK-102033	18 FEET	PC.	37.4	127.29
			TK-102034	20 FEET	PC.	42.9	141.39
		8A	TK-102042	8 FEET	PC.	13.8	56.59
			TK-102043	10 FEET	PC.	17.0	71.39
			TK-102044	12 FEET	PC.	20.7	84.81
			TK-102045	14 FEET	PC.	23.9	99.12
			TK-102046	16 FEET	PC.	27.4	113.15
			TK-102047	18 FEET	PC.	30.8	127.29
			TK-102048	20 FEET	PC.	34.0	141.38
	2B BRACKET SNAPS UNDER 9A BRACKET	9A	TK-102035	8 FEET	PC.	13.8	56.59
			TK-102036	10 FEET	PC.	17.0	71.39
			TK-102037	12 FEET	PC.	20.7	84.81
			TK-102038	14 FEET	PC.	23.9	99.12
			TK-102039	16 FEET	PC.	27.4	113.15
			TK-102040	18 FEET	PC.	30.8	127.29
			TK-102041	20 FEET	PC.	34.0	141.38